



Genius GPS / GSM 810 Real Time GPS Tracker

User Manual



**Android App
Download**



**Iphone App
Download**

Genius GPS / GSM 810 Real Time GPS Tracker

Welcome to use this real time car GPS tracker Genius-810. This product is with GPS module and GSM module, that has many new and unique functions, such as built in rechargeable battery for power down alarm & tracker removed alarm, built in microphone for listen sound in car, real time uploading current location to server, playing back history tracking on website or mobile phone, SMS locate with google map, sensitive shock sensor built in to control power saving etc. the tracker can auto configure APN & GPRS setting, also user can send SMS to set the APN & GPRS. it is very easy to install and using, just connect the power supply is OK, and it is wide working voltage range (9-30V), it can be used as car (12V) or tuck (24V) bus etc.

With GPS and GSM, the tracker sends the present location information through GPRS to internet server, so that user visit the website www.geniusgps.com with the applied user's name and password (default user name and password are the last 7 digitals of the ID) through any computer with available internet, current location checking, history tracking playing back, alarm & running report etc can be operated, it is used for alarm, fleet management, anti-hijack etc. Normally the platform service charge is free (some distributor maybe sale different package of 1 or 2 years service charge free), please confirm your expired date after login the website, and the tracker will be active after the tracker power on.

User can download Android or iPhone iOS app software to android or iPhone mobile phone, click the app, logon with user name and password, you can locate current location & display history tracking, the user name and password is same with the website login. Also following 999GPS official account on WeChat software, map or text description location can be send back by WeChat. Basically using mobile phone send SMS or call the tracker can get the SMS of the current location Google map link.

This GPS tracker can be used as car alarm, fleet management, driver management etc, it can be used for tracking cars, company vehicles, buses, taxis, trucks, etc.

Content:

Main unit, GSM antenna, GPS antenna, Speaker, Microphone, Wires, Manual



Main Unit



GSM Antenna



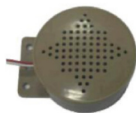
GPS Antenna



Microphone



Wires



Speakers

Before Using

This tracker is suit for 12V and 24V vehicles, please confirm this first.

1. Install SIM card

Push the yellow point of the SIM card holder on one side of the main box, the SIM card holder will come out, pull out the holder, and put the SIM card in the holder, please pay attention on the SIM card metal pin face up (don't face down to the plastic holder), and inert the SIM card holder in the device.

Note:

- 1. This tracker use 2G GSM network, and it upload tracking only through GPRS, it can not work in CDMA network or 3G(WCDMA or CDMA2000) network.*
- 2. Please confirm the PIN code of the SIM card is disabled.*
- 3. Before installing or uninstalling the SIM card, please power off the tracker.*

2. Power ON / OFF

- Switching the power switch on one side of the main box to "ON" position will power on the system, and switching the power switch to "OFF" position will power off the system.

- When the power on the system, the device will recharge the backup battery automatically.

3. LED flash indicator

System LED indicator (Green & Red 2 color LED)

Green Flash once	Both of GSM and GPS signal are OK
Green Flash twice	GSM network is OK but the GPS signal is weak
Green Flash quickly	Incoming a call or making a call.
Green Always ON	System is searching for the GSM network.
Green Always OFF	System power off
RED Flash once	Uploading location to website
RED Flash twice	Recording location to memory
RED Always OFF	GPRS and GPS power off

GSM LED Indicator (BLUE LED)

Flash quickly	Searching the GSM network
Flash slowly	The GSM signal is good

GPS LED Indicator (GREEN LED)

Always On	Searching for the GPS signal
Flash Slowly	GPS signal is good

4. Recharge and power supply

- Warning: this tracker only uses the 9-28V DC power supply, too high voltage or AC voltage may damage the tracker or even cause accidents, so please check the power supply first before installing.
- After the backup battery is full, the built in recharging circuit will stop recharging, and if the tracker do not move, the tracker will go to sleep, then the tracker will cost few power and will not make the car battery can not start car engine.

5. Back to default set (Factory configuration)

Power off the system, press the external "SOS" button and don't release, switch the power switch to ON position to power on the system, a few seconds later the GREEN LED will flash 10 times and turn ON continuously, and then release the "SOS" button, the tracker is back to default configuration.

Notes: After back to default set, all IP / APN / GPRS / TIME ZONE setting are deleted and back to default, all preset phone number are deleted and password change to 123456, all the alarm setting is cancelled, if the IP/APN/GPRS name& password/TIMEZONE have been changed, you need set these again by sending SMS.

6. ANTENNA

The Antenna of GSM and GPS are external, please confirm to install the antenna on the place that have good GSM & GPS signal

7. ON /ACC Control Uploading and Power Saving

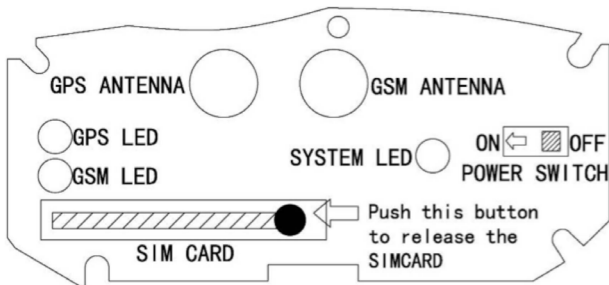
This tracker using ACC/ON signal to control uploading and GPS ON/OFF, when the ACC/ON signal is active, the tracker will turn on GPS and upload location automatically, when the ACC/ON signal is inactive, the tracker will turn off GPS & GPRS automatically (Stop uploading location), this can save the car battery power, otherwise maybe cause the battery can not start car engine.

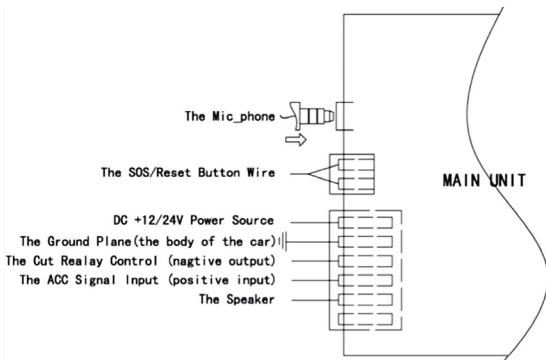
8. Using Condition

The working temperature is -20 0C to 60 0C, over this range the specification maybe can not reach the standard level, the storage temperature can reach to -40 0C to 80 0C.

Installation Guide

- **Before power on, please install the GSM SIM card, the GSM antenna, the GPS antenna the microphone and the speaker, according to the map 1, like below:**
- **Install the wire set, according to map 2, like below:**





Map 1: Install the GSM SIM card, the GSM antenna and the GPS antenna

Map 2: Install the microphone and the speaker and the wire set

Notes: We do not recommend connect the engine cut wire or use stop engine running function, it is dangerous to stop the engine running when driving.

How to Use

First to buy a 2G GSM phone SIM card, which needs SMS service and incoming caller ID display and GPRS function, and please disable the PIN code of the SIM card, this SIM card phone number is the tracker number and all the operations (calling and sending SMS) to the tracker is this number.

After install the SIM card to tracker, power on the tracker, send SMS to tracker to set APN name and GPRS user name & password first, but for some mobile phone company, it is not necessary to set APN or GPRS user name & password, please call your mobile phone to confirm these.

Please confirm the tracker can receive the GPS signal and GSM signal (you should in the outdoor to get GPS signal, Green LED will flash once every 4 seconds means GSM and GPS signal well), when the tracker begin to move, the tracker will upload the location to the website

(Default IP is 58.64.155.133,8011, you should set IP first if the IP is changed, notice will display on website if IP is changed)

The real time tracking platform: www.geniugps.com

Platform user name and password is the last 7 digital number of the tracker's ID number, The label on the back of the device has print the S/N number, this number is the ID number, also user can send SMS "ID*password" (Tracker default password is 123456) to the tracker to check the ID number, user can change the password and user information (Such as car plate, phone number), but can not change the user name, our administrator can change the user name by user request (ask your dealer to contact us), User login the website can see the current location on the Google map, also user can display the history tracking in the specified date and time.

If you have several trackers, we can create a user that can see all your trackers after you login, this can be used as fleet management, ask your dealer to contact us to get your administrator user name and password of your fleet.

The data & time of the tracker upload to the website is GMT time (Greenwich Mean Time, add or minus a fixed digit is your local time), you can send a SMS to the tracker to change the time to your local time, ("TIMEZONE*123456*XXX", XXX is from -12 to +12, for example: Newyork is -05, Paris is +01).

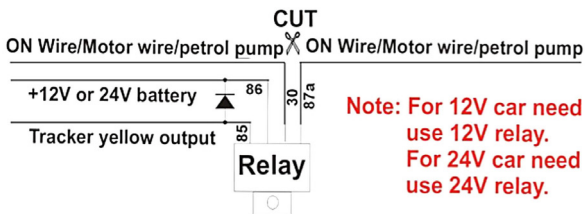
Platform Operation Guide

This platform is designed by our company, and is only suit for our real time tracking series products, for example CCTR-800/801/802/808/810 etc. you can select the different langue version at the first page, website is: **www.gpsgps.com**

Every tracker have a unique user name and password, the user name is the last 7 digital number of the tracker, for example the tracker ID is: CW0810C12345678901, and then the user name on the platform of this tracker is : 5678901, and the platform password for this user name also is :5678901. Please send SMS "ID*123456" to tracker to check the tracker ID.

user can change the password and user information (Such as car plate, phone number), but can not change the user name, our administrator can change the user name by user request, also if you have several

trackers, we can create a user that can see all your trackers after you login, ask your dealer to contact us.



Instruction Description

Check Tracker ID Number :

The tracker ID is print on the label of the tracker, the S/N number on the label is the ID, Also if the label is missing, send SMS "ID*123456" to tracker, in which, "ID" is the fixed command and "123456" is the password. Having successfully been made, there will be a SMS "ID: CW0800C12345678901", in which, "CW0800C12345678901" is the ID and every tracker corresponds to the only number. This number is used to differ the tracking uploaded to the website from others. the last 7 digital number of the tracker ID is the user name and password of the tracker on the platform, for example the tracker ID is : CW0800C12345678901, and then the user name on the platform of this tracker is : 5678901, and the platform password for this user name also is :5678901, user can login the platform to change the password.

Set the Time Zone of Local Time:

The data & time of the tracker upload to the website is GMT time (Greenwich Mean Time, add or minus a fixed digit is your local time), you can send a SMS to the tracker to change your upload time from GMT to your local time automatically, Send SMS "TIMEZONE*123456*XXX" to the tracker, in which, "TIMEZONE" is the fixed command, "123456" is the password and XXX is the time zone of your local time, it is from -12 to +12, for example: Newyork is -05, Paris is +01. Having successfully been set , there will be a SMS "TIME ZONE XXX".

Notice: please confirm your local time zone, and if the time zone is not set, the tracker will upload tracking with GMT time (Greenwich Mean Time).

Set Website Server IP :

Send SMS “IP*123456*58.64.155.133,8011” to the tracker, in which, “IP” is the fixed command, “123456” is the password and “58.64.155.133,8011” is the IP address of the server computer of our website. Having successfully been set , there will be a SMS “IP: 58.64.155.133,8011”. However, the IP address may be changed with the upgrade of our service so please see to the notices on our website or to inquire the agents.

Notice: The tracker has default IP address is : “113.106.89.149,9066”, it is necessary to set again, unless our IP address has been changed or you change the setting, If the IP is changed, we will notice on the website.

Set APN name:

For some mobile phone company, there must be to set the APN name to get through the internet by GPRS. Send SMS “APN*123456*apnname” to the tracker, in which, “APN” is the fixed command, “123456” is the password and “apnname” is the APN name of a mobile phone company. Having successfully been made, there will be a SMS “APN: apnname”. Notice: Some mobile company is not necessary to set APN or GPRS user name & password, please contact your mobile company to confirm this, or get APN and GPRS user name & password from your mobile phone company that the tracker used.

Set GPRS User Name & Password:

Send SMS “USERNAME*123456*username*password” to the tracker, “USERNAME” is a command, “123456” is the password of the tracker; “username” is the mobile company GPRS user name, “password” is the mobile company GPRS password, if the operation is success, the tracker will send back the information “Username:username, Password:password”, please call the mobile phone service hotline to get the GPRS username and password, some mobile company do not need set the GPRS username and password. if the password is not right, the operation is fault, the tracker will send back information “Wrong Password”

Note: before upload the tracking user need set IP, APN, GPRS user name & password (2G GSM network APN, GPRS name & password, 3G network is not suit for this tracker), these only need set once, and will be saved in the tracker. But if the tracker is back to default, then these setting need be set again.

Add / Delete / Check preset number:

The preset phone number is used to send alarm information by SMS, or use mobile phone to locate the tracker without platform, if the preset phone number is not set, then the alarm information can not send to user by SMS (battery low, SOS, etc).

1. Add preset phone number by SMS

Send SMS "ADDPHONE*123456*A*number" (Not including the quotation marks " ", Number means the telephone number you want preset, the following is same) to tracker is OK, "ADDPHONE" is a command; "123456" is password; "A" is preset number location, every tracker have 3 preset phone number locations, A and B, and C, so you can preset 3 phone numbers, if the add operation is success, the tracker will send back the information "Add Preset Phone OK", if the password is not right, the operation is fault, the tracker will send back information "Wrong Password".

2. Delete preset phone number by SMS

Send SMS "DELETEPHONE*123456*A" to the tracker, "DELETEPHONE" is a command; "123456" is password; "A" is preset phone number location, there are 3 locations "A" and "B" and "C"; if the delete operation is success, the tracker will send back the information "Delete Preset Phone OK", if the password is not right, the operation is fault, the tracker will send back information "Wrong Password".

3. Check preset phone number by SMS

Send SMS "CHECKPHONE*123456" to tracker, "CHECKPHONE" is a command; "123456" is password; if the operation is success, the tracker will send back the information "Preset Phone A: 13322990998- B-13316868198-C-13322990033", the phone number is just an example. if the password is not right, the operation is fault, the tracker will send back information or "Wrong Password".

Change / Check Password**1. Change tracker password**

Send SMS "CHANGEPASSWORD*123456*888888" to tracker, "CHANGEPASSWORD" is a command; "123456" is old password; "888888" is new password; if the operation is success, the tracker will send the information "New Password-888888" to every preset phone number, if the password is not right, the operation is fault, the tracker will send back information "Wrong Password".

Note: Only preset phone can change the password.

2. Check tracker password

Send SMS "CHECKPASSWORD" to the tracker, "CHECKPASSWORD" is a command, if the operation is success, the tracker will send back the information "Password-888888"; "888888" is an example.

Note: Only preset phone can check the password.

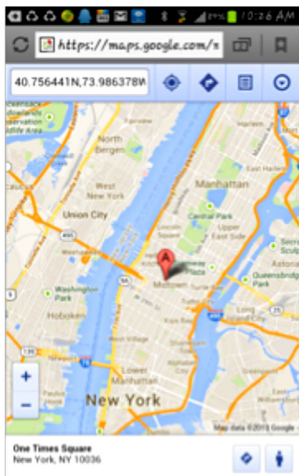
Keep On line (keep upload tracking):

Normally the upload location is controlled by ON wire signal, when the car is turn on, the tracker will begin to upload tracking to server, also you can trigger the tracker to upload the tracking all the time. Send SMS "KEEPOPONLINE *123456" to tracker, "KEEPOPONLINE" is a command, "123456" is password, After receive this SMS, the tracker will keep upload the current location and will not go to sleep mode however the tracker is moving or not or the KEY ON signal is ON or not, this mode can be used as tracking stolen car. This status can be cancelled by "CANCELALARM" operation (back to ON wire control uploading).

Notes: The Following instruction such as SMS locate, LINK locate, Shock alarm, can be work without platform, these can be used like normal personal SMS tracker without platform.

Locate the tracker by calling the tracker (Platform is not necessary):

- Using preset phone call the tracker, after ring 3 times, the tracker will hang up the call automatically and locate immediately, 10 seconds later, the tracker will send back the SMS location information (map website link) of current location to the caller. user can use mobile phone to click the website link to visit internet, and the location on map will display on the mobile phone(the phone SIM card need enable the GPRS function). If the tracker has not preset number, any phone call can trigger the tracker to locate immediately, if the tracker has preset number, then only preset



phone call can trigger the tracker to locate immediately.

2. Basic Location information including Map Website Link, Battery etc. the SMS information sample is as follow: <http://www.followmegps.mobi/map.aspx?lat=40.756441&lng=-73.986378&l=enBattery:91%>

Send a SMS trigger locate by map link (Platform is not necessary)

Send SMS "LINKLOCATE*123456" to the tracker, "LINKLOCATE" is a command, "123456" is password; the tracker will locate immediately and send back the location information (map website internet link) of current location to the caller. use smart phone to click the website link to visit internet, and the location will display on the map on your phone(the smart phone SIM card need enable the GPRS function), if the password is not right, the operation is fault, the tracker will send back information "Wrong Password."

Enable Shock & Move Alarm (Can be used as car alarm):

Send SMS "SHOCKALARM*123456" to tracker, "SHOCKALARM" is a command, "123456" is password, the tracker will send back the information "Set Shock Alarm OK" to indicate the operation is success, if the password is not right, the operation is fault, the tracker will send back information "Wrong Password"

After enable shock alarm, the system will check shock sensor, if the shock sensor is trigger, the tracker will send alarm and location information by SMS to who set the alarm, and also send the alarm information to the website server, and later every 2 minutes the tracker will send alarm information by SMS if the tracker keep moving. 3 times alarm later, shock alarm will stop, user can send SMS to enable the shock alarm again, this function will not turn on GPS continuously, it will turn on GPS only when the shock alarm is trigger, so it will not reduce battery power.

The shock & move alarm SMS is as follow:

Shock Alarm

<http://www.followmegps.mobi/map.aspx?lat=40.756441&lng=-73.986378&l=en> Battery:91%

Low Battery Alarm:

When the tracker battery voltage is low, the GREEN LED of the tracker will flash 3 or 4 times, and then the tracker will automatically send bat-

tery low information to the first preset phone number. the battery life can last about 1-2 days according the different using condition. (For example GPS and GSM signal is not good will reduce the battery time, and keep moving and uploading will also make the battery time reduce to less 1 day.)

Cancel All Alarm Setting

Cancel all the alarm setting: Send SMS "CANCELALARM*123456" to tracker, "CANCELALARM" is a command, "123456" is password, the tracker will send back information "All Alarm Cancel", and cancel all the shock alarm setting in the tracker. if the password is not right, the operation is fault, the tracker will send back information "Wrong Password".
Auto Re-power On and Reset Tracker

Auto power off and power on and Cancel all the alarm setting: Send SMS "RESET*123456" to tracker, "RESET" is a command, "123456" is password, The tracker will power off and then power on automatically, this will take a few minutes, and then cancel all the alarm setting in the tracker, including shock alarm, over area alarm, over speed alarm, keep online(change to shock control), stop working(change to start working), etc. the tracker will send back information "Reset Tracker", if the password is not right, the operation is fault, the tracker will send back information "Wrong Password".

"SOS" Emergency

Press the "SOS" button 6 seconds, first the LED will flash fast, then the LED will turn OFF, release the button, the tracker will send SOS help information to all 3 preset phone.

HELP!!!

<http://www.followmegps.mobi/map.aspx?lat=40.756441&lng=-73.986378&l=enBattery:91%>

If the tracker receive the HELP information, please note that the SOS button must be pressed, please call the driver to confirm with the user is safe or not or call the police.

The SOS function need installing the external SOS button, install the external SOS button in a hidden place that driver can press the button.

Instruction List

Function	SMS Instruction	Note	Reply	Note
Set Time Zone	TIMEZONE*123456*XXX	Any mobile phone can set	Time Zone is XXX	XXX is from -12 to -12
Set IP address	IP*58.64.155.133,8011	Any mobile phone can set	IP: 58.64.155.133,8011	Reply to operation phone
Set APN name	APN*123456*apnname	Any mobile phone can set	APN:apnname	Reply to operation phone
Set GPRS user name & password	USERNAME*123456* username*password	Any mobile phone can set	Username:username, Password:password	Reply to operation phone
Check tracker ID Number	ID*123456	Any mobile phone can set	ID:CW0810C12345678901	Reply to operation phone
Add phone number	ADDPHONE*123456* A*13322990033	Any mobile phone can set	Add Preset Phone OK	Reply to the operation phone
Delete phone number	DELETEPHONE* 123456*A	Any mobile phone can delete	Delete Preset Phone OK	Reply to the operation phone
Check preset phone number	CHECKPHONE*123456	Any mobile phone can check	A:13316868198; B:13322990998; C:13322990033;	Reply to the operation phone
Change password	CHANGEPASSWORD* 123456*888888	Only preset phone can change	New Password: 888888	Reply to operation preset phone
Check password	CHECKPASSWORD	Only preset phone can check	Password: 888888	Reply to operation preset phone
Send SMS trigger map link report location	LINKLOCATE*123456	Any mobile phone can set	Current location map website link	Reply to operation phone
Set shock & move alarm	SHOCKALARM*123456	Any mobile phone can set	Set Shock & Move Alarm OK	Reply to operation phone
Keep On Line	KEEPONLINE*123456	Any mobile phone can set	Trigger tracker upload location continuously	Reply to operation phone
Cancel All Alarm Setting	CANCELALARM* 123456	Any mobile phone can set	All Alarm Cancel	Reply to operation phone
Auto Re-power on & Reset tracker	RESET*123456	Any mobile phone can set	Tracker Re-power on and cancel all alarm setting	Reply to operation phone
Request Talking to Tracker	TALK*123456*	Only preset phone can set	Pick up the calling and begin to talk	Reply to operation phone
Monitor sound around Tracker	MONITOR*123456*	Only preset phone can set	Pick up the calling and then monitoring	Reply to operation phone
Remote Stop Engine Running	STOPENGINE*123456	Only preset phone can set	Car engine Stop running	Reply to operation phone
SOS Emergency	Press SOS button until the GREEN LED turn off		HELP + location information	Send SOS HELP information to all preset phone

1. Please add preset phone first then change the password.
2. All the SMS information is in English word, "*" is the star key, "" is not including in the SMS information, it is just used to indicate the information.

Notes:

1. Please confirm that the SIM card PIN code has been disabled, it means if mobile phone use this SIM card, it is not necessary to input any password. Otherwise the tracker can not find GSM network, the Green LED will keep ON .
2. This tracker use 2G GSM network, and it upload tracking only through 2G GPRS, it can not work in CDMA network or 3G(WCDMA or CDMA2000) network.
3. The antenna of GSM and GPS is external, please note that the antenna install location of the tracker must can receive the GPS & GSM signal, normally the back of the seat or arm rest box or under the back window or room on the panel etc. please leave away the tracker from big metal, and keep away from the magnetic components.
4. The tracker built in high capacity Li battery, recharge one time can use about 1-2 days (standby mode), also you can connect the tracker to the car battery all the time, this can keep the tracker has power supply continuously, and the charging circuit will control the recharging.
5. The tracker built in GSM and GPS module, so please power off the tracker at the special place that restrict using mobile phone, such as on the plane, etc.
6. The GPS need 10-200 seconds to locate the position, when the GSM signal is weak or the network is very busy, the SMS maybe delay to send by the GSM network, this is normal.
7. The tracking data on our server will keep 3-6 months, the old data will be deleted.

Trouble Shooting

1. The tracker auto power off: please confirm the tracker power supply is good, and the fuse on the VCC line is good.
2. After power on the tracker, the tracker GREEN LED keep on, and it has not any repose, and no ring, please confirm the SIM card has been installed properly, the SIM card PIN code is disable, and the SIM card has enough charge, and the mobile phone can work well in that place. If the tracker work well the Green LED will flash once every 4 seconds.

3. If the tracker can not upload location to website, please confirm the SIM card has GPRS function, and has set the APN or GPRS user-name & password (call the mobile phone hotline to confirm it is necessary to set these or not). if the tracker do not move, the tracker will not upload tracking, try moving with the tracker.
4. If the tracker can not send back information by SMS, please confirm the SIM card has ID caller display function and SMS service function, and please read the SMS information of the tracker sending back, and check the instruction & password is right or not.
5. When call the tracker, it has ringing, but it will not hang up the calling, please check the tracker has set the preset phone number, use the preset phone or delete the preset phone number or let the tracker back to default is OK.
6. Can not login the platform: use SMS to check the ID of the tracker, and try it again, if not success please contact us.
7. After go out the under ground park, some tracking will lost, the GSM and GPS module will take a few minutes to receive signal and re-locate, some tracking maybe lost, this is normal.
8. Some time some location point is lost, this is normal, in the transmit process, some point maybe is lost, but this will not happen very often.

GSM Module	SIMCOM 900	GPS Module	Sirf-Star or MTK
GSM Frequency	850/900/1800/1900 MHz	GPS channel	32 channels
GSM / GPS Antenna	Built in	Locate precision	5-20 Meters
GPS Cold Start Time	36 seconds	GPS Hot Start Time	1 second
Recharging Current	< 5V/300mA	Standby Current	< 10 mA
Uploading Current	<200mA / 5V	Battery	800mAh
Working Temperature	-20 0C to +55 0C	Absolute Temperature	-35 0C to +70 0C
Storage Temperature	-40 0C to +80 0C		

Warranty

This system has been tested before sold. We strongly recommend you to get this system installed by professional. There is a one-year warranty except the following condition:

1. Installed, fixed, or changed by personally or unprofessional.
2. Warranty will eliminate if the ownership of the tracker has been changed.
3. Parts damaged by man-made.
4. Battery, adapter, wires, etc.

Warning: this device is just an auxiliary product that applying the location of current object, we have not any responsibility if you have damage or lost in using this tracker.

Customer Name			
Customer Phone		Tracker SIM card	
Model		Serial Number	
Purchase Date		Expired Date	
Distributor			

Notes: The explanation of this manual is belonged to our company, some small changes may not notice customer, if you have any problem please contact us, thanks!